



YOYOND 悠远流体

- ◆ Sanitary Manual、Pneumatic Valve
- ◆ Sanitary Pipe Fittings
- ◆ Fluid Facility

止回阀技术参数

最大压力1.0MPa(10bar)
温度范围-50℃-95℃
材 质 与物料接触部件采用AISI304、316或AISI316L
其它部位: 采用AISI304
橡胶等级: 硅胶(Q) 三元乙丙(EPDM)或氟化橡胶(FPM)
应 用: 乳制品、啤酒、食品、饮料、制药、生物工程等工业领域

Check valve technical parameter

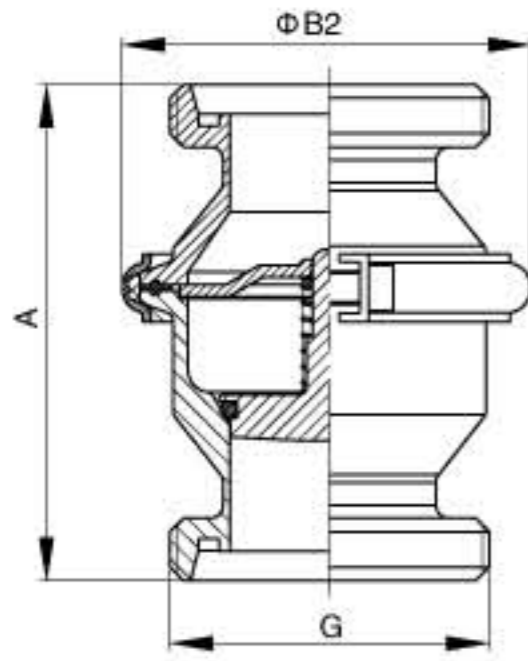
Max. pressure1.0MPa(10bar)
Temperature -5 to +95
Material The parts contact with the liquid adopt AISI304 or AISI316L
Others: Adopt AISI304
Rubber: Silicon rubber,EPDM or FPM
Application: Dairy、beer、food、beverage、pharmacy、biotechnology、etc.



- ◆ Sanitary Manual、Pneumatic Valve
- ◆ Sanitary Pipe Fittings
- ◆ Fluid Facility
- ◆ 卫生级手动、驱动阀门 / 卫生级管件 / 流体设备

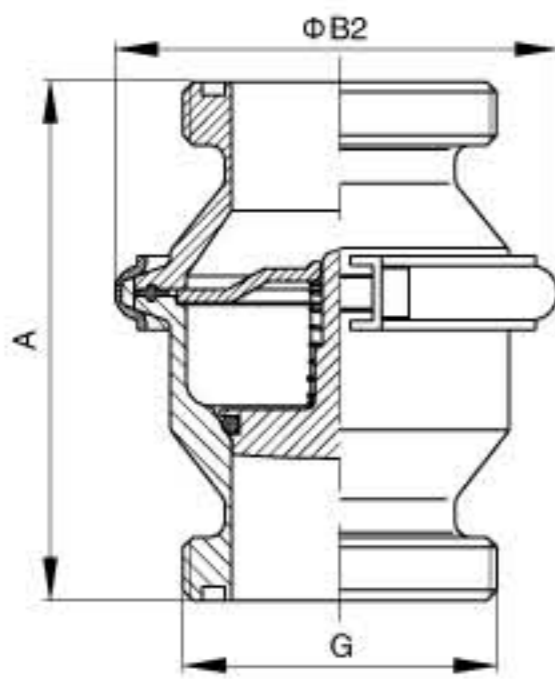
螺纹式止回阀 Threaded check valve

DIN | 20101



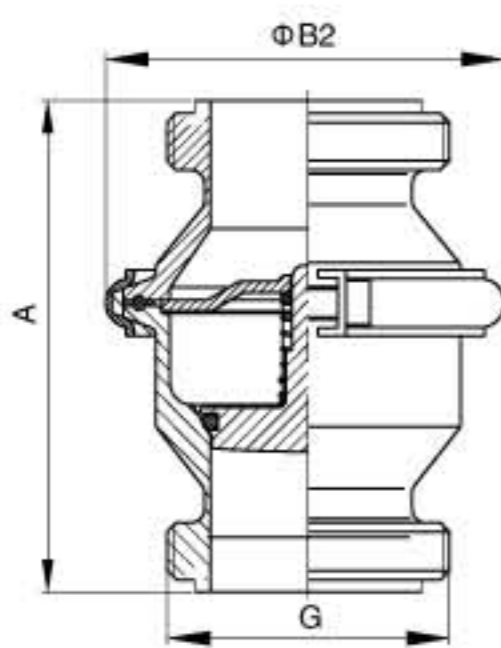
Size	B2	G	A			kg
DN15	87.0	RD34 × 1/8	110.5			
DN20	87.0	RD44 × 1/6	114.5			
DN25	87.0	RD52 × 1/6	116.5			
DN32	87.0	RD58 × 1/6	116.5			
DN40	87.0	RD65 × 1/6	116.5			
DN50	100.0	RD78 × 1/6	130.0			
DN65	115.0	RD95 × 1/6	142.5			
DN80	128.0	RD110 × 1/4	166.5			
DN100	164.0	RD130 × 1/4	212.5			

SMS | 20102



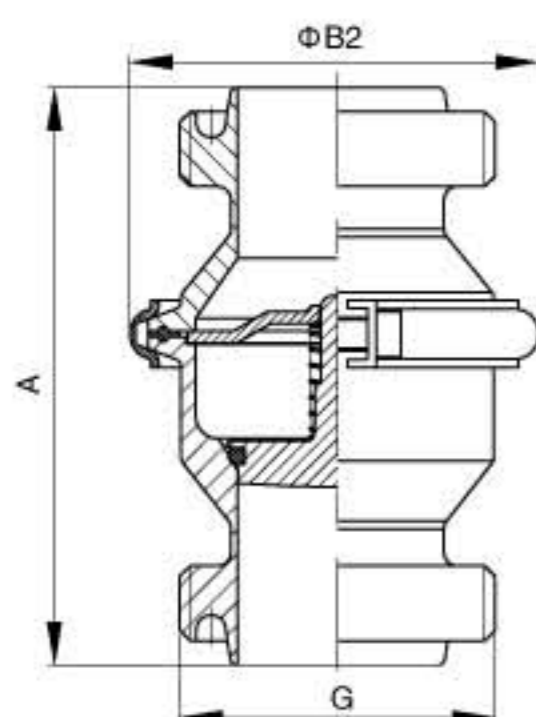
Size	B2	G	A			kg
25	87.0	RD40 × 1/6	112.5			
32	87.0	RD48 × 1/6	112.5			
38	87.0	RD60 × 1/6	116.5			
51	100.0	RD70 × 1/6	128.0			
63	115.0	RD85 × 1/6	143.5			
76	128.0	RD98 × 1/6	165.5			
89	128.0	RD110 × 1/6	168.5			
102小	164.0	RD125 × 1/6	210.5			
102大	164.0	RD132 × 1/6	210.5			

ISO
IDF | 20103



Size	B2	G	A			kg
1"	87.0	37.1 × 8TACME	119.5			
1 1/2"	87.0	50.6 × 8TACME	119.5			
2"	100.0	64.2 × 8TACME	131.0			
2 1/2"	115.0	77.7 × 8TACME	139.5			
3"	128.0	91.2 × 8TACME	159.5			
4"	164.0	118.4 × 8TACME	216.5			
4"	164.0	125.9 × 6TACME	216.5			

RJT | 20104



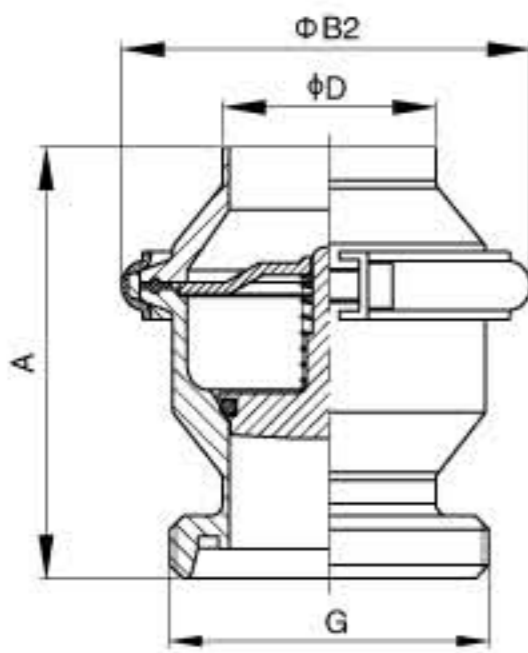
Size	B2	G	A			kg
1"	87.0	45.7 × 8TWHIT	130.5			
1 1/2"	87.0	58.4 × 8TWHIT	130.5			
2"	100.0	72.7 × 6TWHIT	142.0			
2 1/2"	115.0	85.4 × 6TWHIT	150.5			
3"	128.0	98.1 × 6TWHIT	170.5			
4"	164.0	123.8 × 6TWHIT	210.5			



- ◆ Sanitary Manual、Pneumatic Valve
- ◆ Sanitary Pipe Fittings
- ◆ Fluid Facility
- ◆ 卫生级手动、驱动阀门 / 卫生级管件 / 流体设备

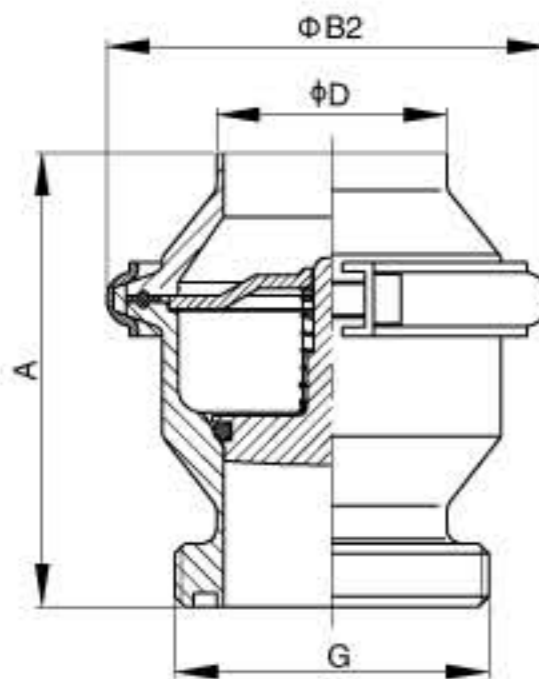
单焊单螺式止回阀 Welded/ threaded check valve

DIN | 20105



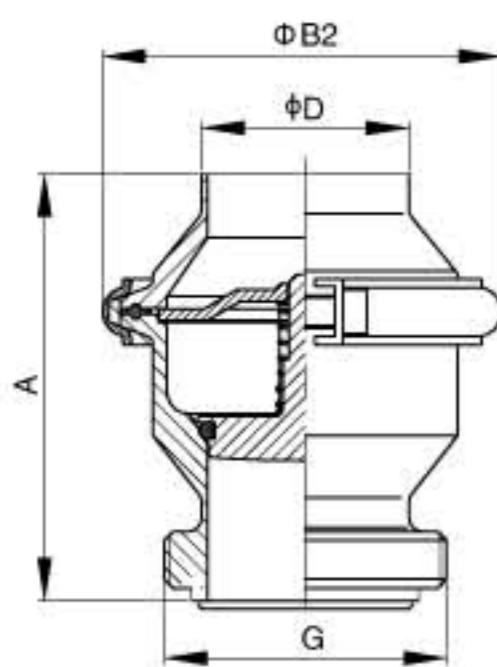
Size	B2	G	D	A	kg
DN15	87.0	RD34 × 1/8	18.0	93.5	
DN20	87.0	RD44 × 1/6	22.0	95.5	
DN25	87.0	RD52 × 1/6	28.0	96.5	
DN32	87.0	RD58 × 1/6	34.0	96.5	
DN40	87.0	RD65 × 1/6	40.0	96.5	
DN50	100.0	RD78 × 1/6	52.0	109.0	
DN65	115.0	RD95 × 1/6	70.0	119.5	
DN80	128.0	RD110 × 1/4	85.0	141.5	
DN100	164.0	RD130 × 1/4	104.0	184.5	

SMS | 20106



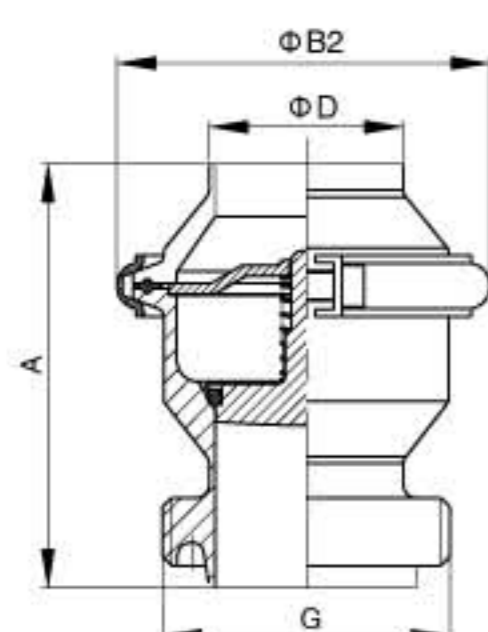
Size	B2	G	D	A	kg
25	87.0	RD40 × 1/6	25.4	94.5	
32	87.0	RD48 × 1/6	32.0	94.5	
38	87.0	RD60 × 1/6	38.1	96.5	
51	100.0	RD70 × 1/6	50.8	108.0	
63	115.0	RD85 × 1/6	63.5	120.0	
76	128.0	RD98 × 1/6	76.2	141.0	
89	128.0	RD110 × 1/6	89.0	142.5	
102小	164.0	RD125 × 1/6	101.6	183.5	
102大	164.0	RD132 × 1/6	101.6	183.5	

ISO
IDF | 20107



Size	B2	G	D	A	kg
1"	87.0	37.1 × 8TACME	25.4	98.0	
1 1/2"	87.0	50.6 × 8TACME	38.1	98.0	
2"	100.0	64.2 × 8TACME	50.8	109.5	
2 1/2"	115.0	77.7 × 8TACME	63.5	118.0	
3"	128.0	91.2 × 8TACME	76.2	138.0	
4"	164.0	118.4 × 8TACME	101.6	186.5	
4"	164.0	125.9 × 6TACME	101.6	186.5	

RJT | 20108



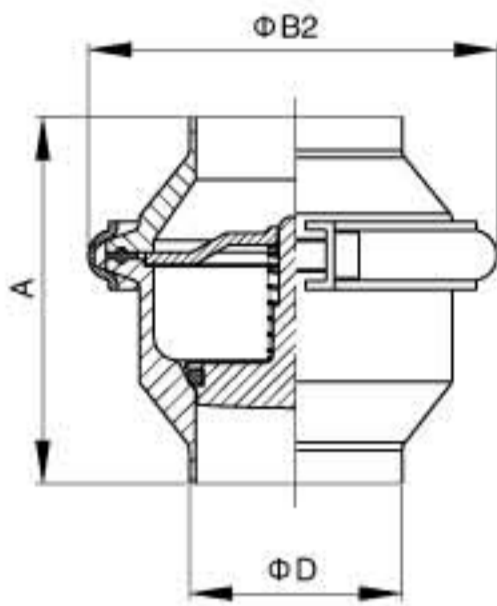
Size	B2	G	D	A	kg
1"	87.0	45.7 × 8TWHIT	25.6	103.5	
1 1/2"	87.0	58.4 × 8TWHIT	38.3	103.5	
2"	100.0	72.7 × 6TWHIT	51.0	115.0	
2 1/2"	115.0	85.4 × 6TWHIT	63.7	123.5	
3"	128.0	98.1 × 6TWHIT	76.4	143.5	
4"	164.0	123.8 × 6TWHIT	101.8	183.5	



- ◆ Sanitary Manual、Pneumatic Valve
- ◆ Sanitary Pipe Fittings
- ◆ Fluid Facility
- ◆ 卫生级手动、驱动阀门 / 卫生级管件/ 流体设备

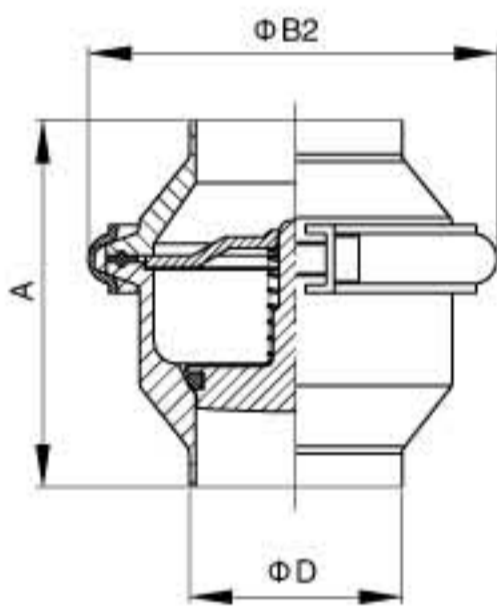
焊接式止回阀 Welded check valve

DIN | 20109



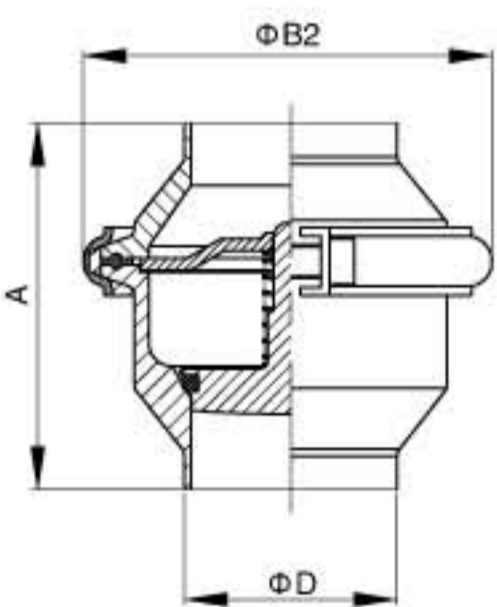
Size	B2	D	A			kg
DN15	87.0	18.0	76.5			
DN20	87.0	22.0	76.5			
DN25	87.0	28.0	76.5			
DN32	87.0	34.0	76.5			
DN40	87.0	40.0	76.5			
DN50	100.0	52.0	87.9			
DN65	115.0	70.0	96.5			
DN80	128.0	85.0	116.5			
DN100	164.0	104.0	156.5			

SMS | 20110



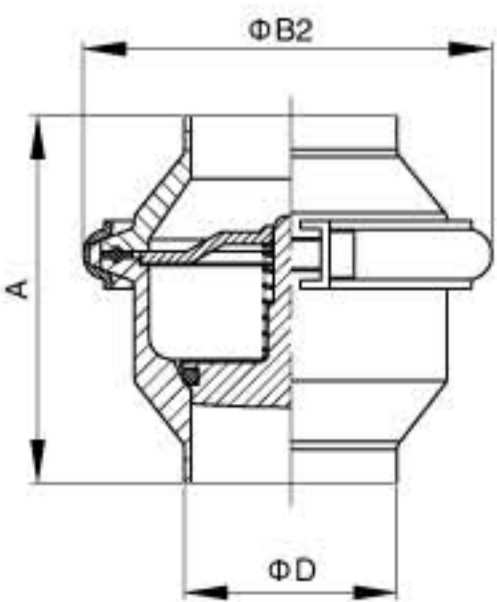
Size	B2	D	A			kg
25	87.0	25.4	76.5			
32	87.0	31.8	76.5			
38	87.0	38.1	76.5			
51	100.0	50.8	87.9			
63	115.0	63.5	96.5			
76	128.0	76.2	116.5			
89	128.0	89.0	116.5			
102	164.0	101.6	156.5			

ISO
IDF | 20111



Size	B2	D	A			kg
φ 19	87.0	19.0	76.5			
φ 25	87.0	25.4	76.5			
φ 32	87.0	32.0	76.5			
φ 38	87.0	38.1	76.5			
φ 45	100.0	45.0	88.0			
φ 51	100.0	50.8	88.0			
φ 57	100.0	57.0	88.0			
φ 63	115.0	63.5	96.5			
φ 76	128.0	76.2	116.5			
φ 89	128.0	89.0	116.5			
φ 102	164.0	101.6	156.5			
φ 108	164.0	108.0	156.5			

3A | 20112



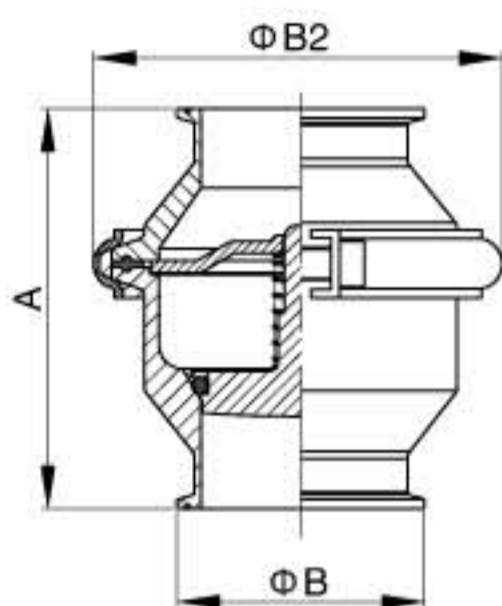
Size	B2	D	A			kg
1/2"	87.0	12.7	76.5			
3/4"	87.0	19.1	76.5			
1"	87.0	25.4	76.5			
1 1/2"	87.0	38.1	76.5			
2"	100.0	50.8	87.9			
2 1/2"	115.0	63.5	96.5			
3"	128.0	76.2	116.5			
4"	164.0	101.6	156.5			



- ◆ Sanitary Manual、Pneumatic Valve
- ◆ Sanitary Pipe Fittings
- ◆ Fluid Facility
- ◆ 卫生级手动、驱动阀门 / 卫生级管件 / 流体设备

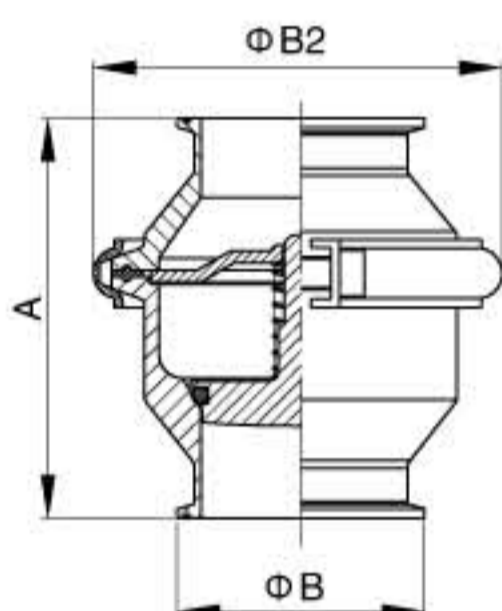
卡箍式止回阀 Clamped check valve

DIN | 20113



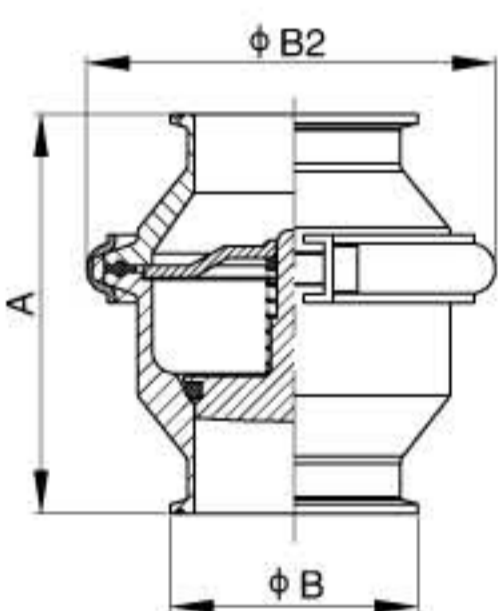
Size	B2	B	A			kg
DN15	87.0	34.0	102.0			
DN20	87.0	34.0	102.0			
DN25	87.0	50.5	102.0			
DN32	87.0	50.5	102.0			
DN40	87.0	50.5	102.0			
DN50	100.0	64.0	113.4			
DN65	115.0	91.0	122.0			
DN80	128.0	106.0	142.0			
DN100	164.0	119.0	182.0			

SMS | 20114



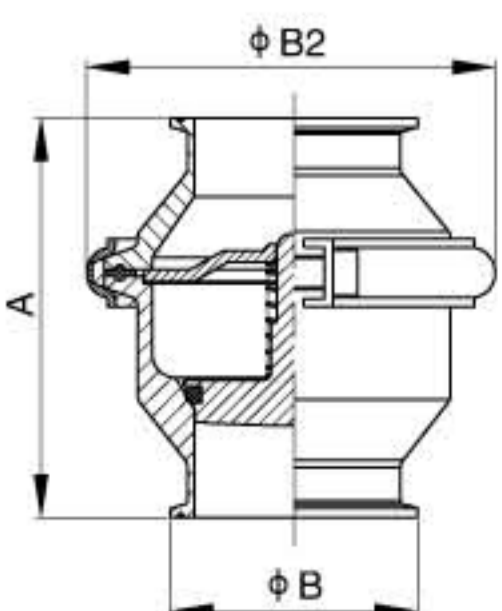
Size	B2	B	A			kg
25	87.0	50.5	102.0			
32	87.0	50.5	102.0			
38	87.0	50.5	102.0			
51	100.0	64.0	113.4			
63	115.0	77.5	122.0			
76	128.0	91.0	142.0			
89	128.0	106.0	142.0			
102	164.0	119.0	182.0			

ISO
IDF | 20115



Size	B2	B	A			kg
φ 25	87.0	50.5	102.0			
φ 38	87.0	50.5	102.0			
φ 51	100.0	64.0	113.4			
φ 63	115.0	77.5	122.0			
φ 76	128.0	91.0	142.0			
φ 100	164.0	119.0	182.0			

3A | 20116



Size	B2	B	A			kg
1/2"	87.0	25.4	102.0			
3/4"	87.0	25.4	102.0			
1"	87.0	50.5	102.0			
1 1/2"	87.0	50.5	102.0			
2"	100.0	64.0	113.4			
2 1/2"	115.0	77.5	122.0			
3"	128.0	91.0	142.0			
4"	164.0	119.0	182.0			