

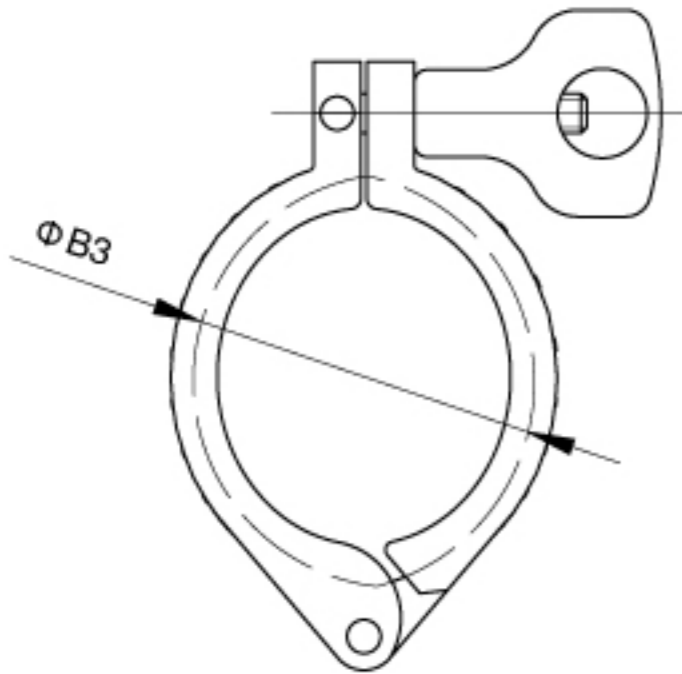


- ◆ Sanitary Manual、Pneumatic Valve
- ◆ Sanitary Pipe Fittings
- ◆ Fluid Facility
- ◆ 卫生级手动、驱动阀门 / 卫生级管件 / 流体设备

卡箍 Clamp(3A)

重型卡箍(13MHH)
Heavy duty clamp

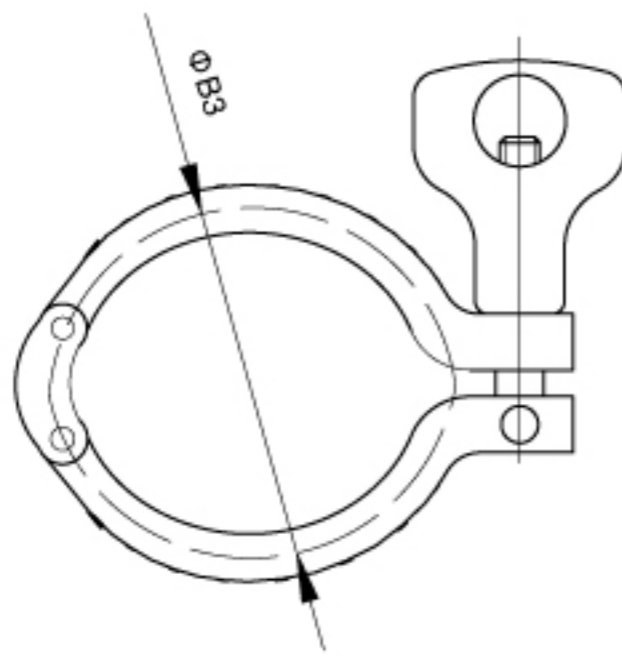
60063



Size	B3					kg
1/2"	28.0					
3/4"	28.0					
1"	53.9					
1 1/2"	53.9					
2"	67.4					
2 1/2"	80.9					
3"	94.4					
4"	122.4					
6"	170.4					
8"	221.2					
10"	270.0					

双销卡箍(13MHHM-DP)
Double-pin clamp

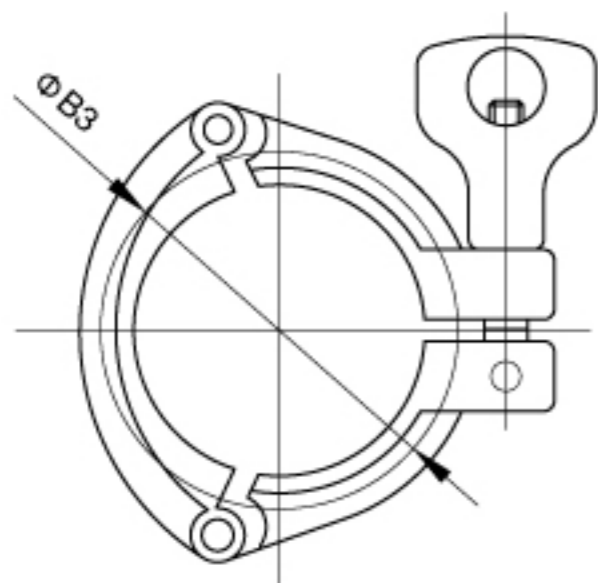
60064



Size	B3					kg
1"	53.6					
1 1/2"	53.6					
2"	67.0					
2 1/2"	80.6					
3"	94.0					
4"	122.0					
6"	170.0					
8"	220.8					

三片式卡箍(13MHHM-3P)
Three-piece clamp

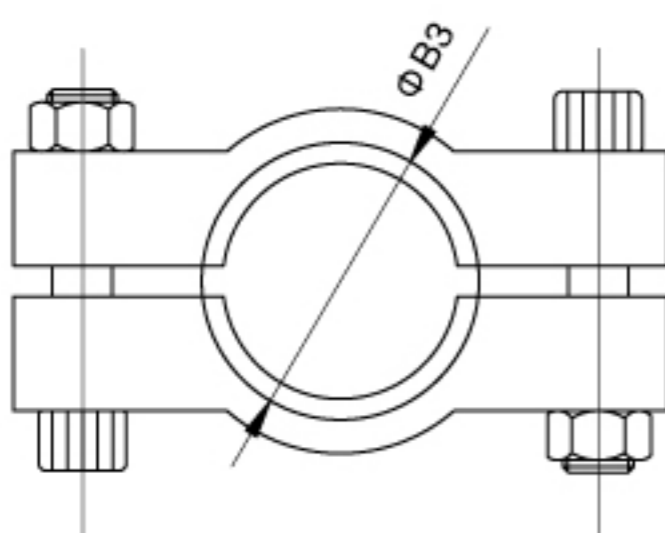
60065



Size	B3					kg
1"	53.9					
1 1/2"	53.9					
2"	67.4					
2 1/2"	80.9					
3"	94.4					
4"	122.4					

高压卡箍 (13MHP)
High pressure clamp

60066



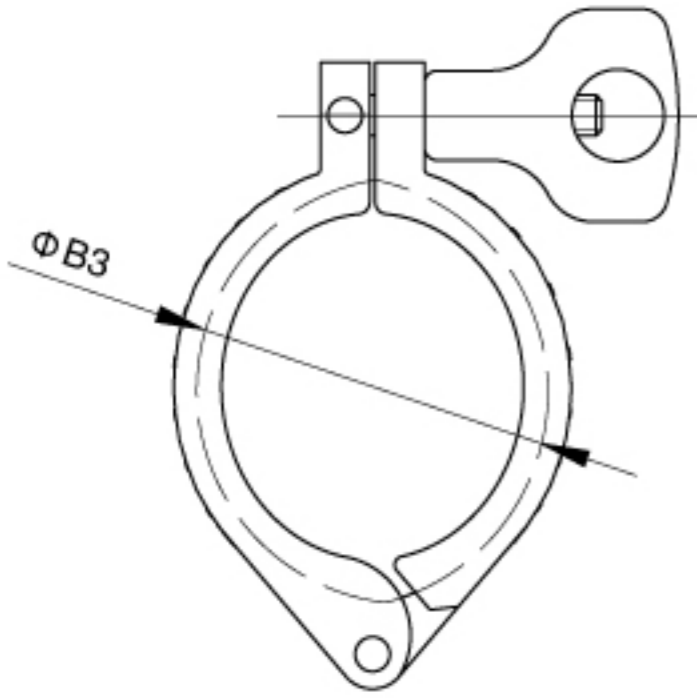
Size	B3					kg
1"	52.0					
1 1/2"	52.0					
2"	65.5					
2 1/2"	79.0					
3"	92.5					
4"	120.5					



- ◆ Sanitary Manual、Pneumatic Valve
- ◆ Sanitary Pipe Fittings
- ◆ Fluid Facility
- ◆ 卫生级手动、驱动阀门 / 卫生级管件 / 流体设备

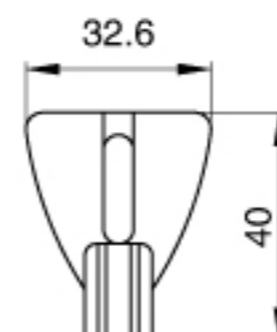
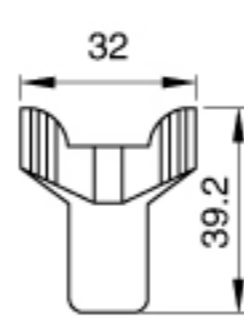
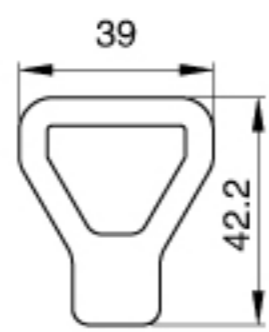
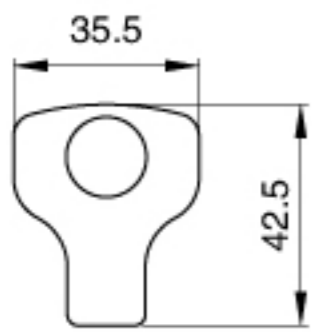
卡箍 Clamp

DIN | 60067

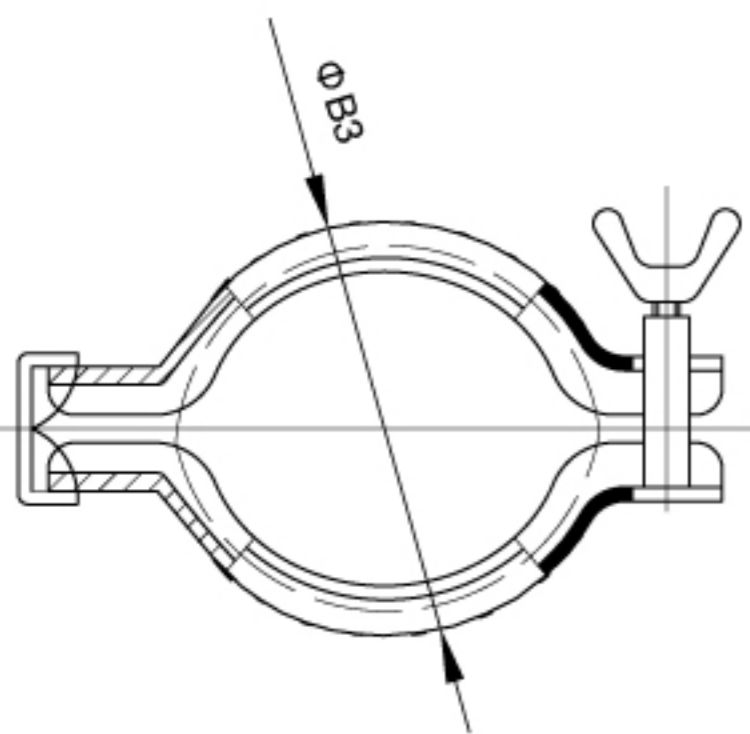


Size	B3						kg
DN10	37						
DN15	37						
DN20	37						
DN25	53						
DN32	53						
DN40	53						
DN50	67						
DN65	94						
DN80	109						
DN100	122						

螺母 Nut



冲压卡箍
Pressing clamp | 60068



Size	B3						kg
DN20	58.5						
DN25	58.5						
DN32	58.5						
DN40	58.5						
DN50	72.0						
DN65	99.0						
DN100	127.0						