



YOYOND 悠远流体

- ◆ Sanitary Manual、Pneumatic Valve
- ◆ Sanitary Pipe Fittings
- ◆ Fluid Facility

清洗器技术参数：

材质：AISI304或AISI316L

应用：乳制品、啤酒、食品、饮料、制药等贮罐的有效清洗。

连接方式：螺纹式，卡箍式，插销式，焊接式。

结构方式：喷嘴式洗罐器，旋转式清洗球，固定清球。

喷射角度：360°，90°。

Cleaner technical parameter

Material: AISI304 or AISI316L

Application: Dairy, beer, food, beverage, pharmacy container's cleaning.

Connection type: Maled, clampd, bolted, welded.

Type: Nozzle-type tank cleaner, rotary cleaning ball, fixed cleaning ball.

Spray angle: 360°, 90°

视镜技术参数

材质：AISI304或AISI316L

应用：乳制品、啤酒、食品、饮料、制药观测及照明作用。

结构方式：直通式，四通式，活接头，视镜灯视镜。

连接方式：螺纹式，卡箍式，焊接式。

Sight glass technical parameter

Material: AISI304 or AISI316L

Application: Dairy, beer, food, beverage, pharmacy observation and illumination.

Type: Straight sight glass, cross sight glass, union-type sight glass, sight indicator sight glass

Connection type: Threaded, clamped, welded

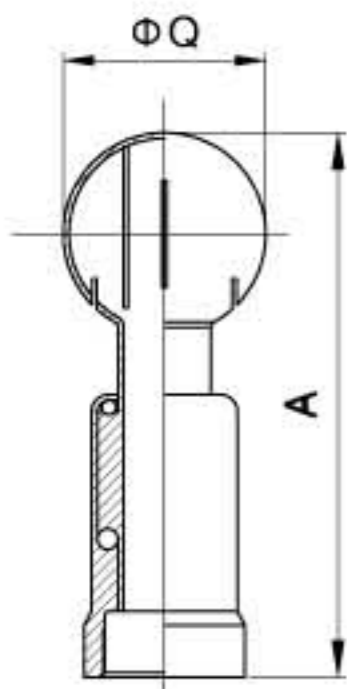


- ◆ Sanitary Manual、Pneumatic Valve
- ◆ Sanitary Pipe Fittings
- ◆ Fluid Facility
- ◆ 卫生级手动、驱动阀门 / 卫生级管件/ 流体设备

旋转式清洗球 Rotary cleaning ball

螺纹式
Threaded

50046



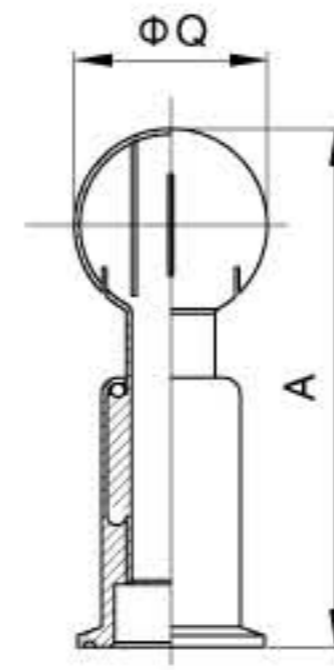
Size	A	Q	kg
1"	140.0	53.0	
1 1/4"	160.0	63.0	
1 1/2"	170.0	63.0	
2"	192.0	76.0	
2 1/2"	220.0	910.0	

Technical parameter

Size	Pressure (bar)	Cleaning radius (m)	Fluxation m ³ /h
1" ~1.5"	2	1.25	12
2"	2	1.5	38
2.5"	2	2.0	38

卡箍式
Clamped

50047



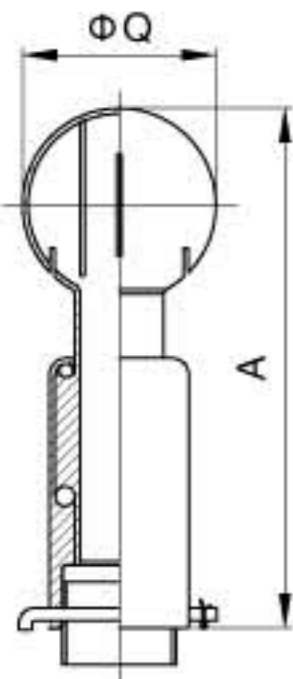
Size	A	Q	kg
1"	138.0	53.0	
1 1/4"	138.0	53.0	
1 1/2"	138.0	53.0	
2"	168.0	63.0	
2 1/2"	190.0	76.0	

Technical parameter

Size	Pressure (bar)	Cleaning radius (m)	Fluxation m ³ /h
1" ~1.5"	2	1.25	12
2"	2	1.5	38
2.5"	2	2.0	38

插销式
Bolted

50048



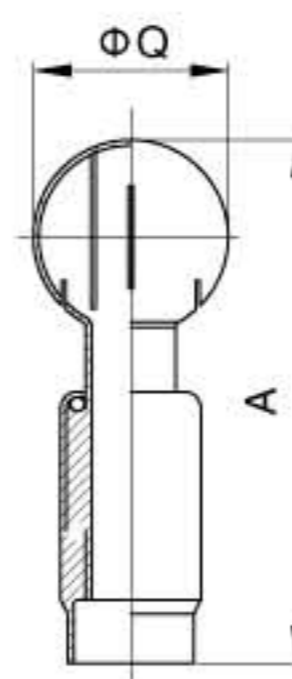
Size	A	Q	kg
1"	135.0	53.0	
1 1/4"	137.0	53.0	
1 1/2"	137.0	53.0	
2"	168.0	63.0	
2 1/2"	190.0	76.0	

Technical parameter

Size	Pressure (bar)	Cleaning radius (m)	Fluxation m ³ /h
1" ~1.5"	2	1.25	12
2"	2	1.5	38
2.5"	2	2.0	38

焊接式
Welded

50049



Size	A	Q	kg
1"	143.0	53.0	
1 1/4"	145.0	53.0	
1 1/2"	145.0	53.0	
2"	180.0	63.0	
2 1/2"	200.0	76.0	

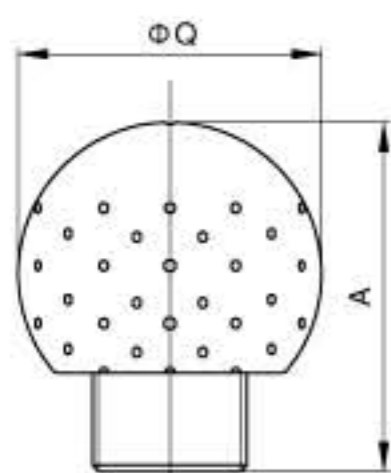
Technical parameter

Size	Pressure (bar)	Cleaning radius (m)	Fluxation m ³ /h
1" ~1.5"	2	1.25	12
2"	2	1.5	38
2.5"	2	2.0	38

固定式清洗球 Fixed cleaning ball

螺纹式
Threaded

50050



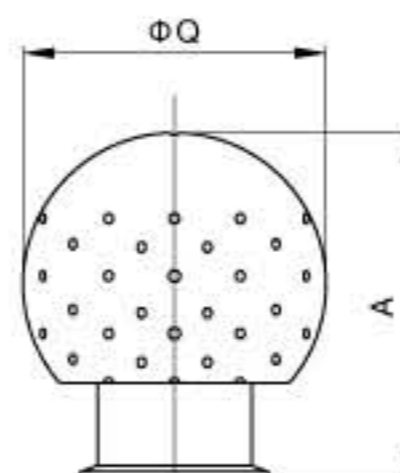
Size	A	Q	kg
1"	72.0	63.0	
1 1/4"	85.0	76.0	
1 1/2"	87.0	76.0	
2"	102.0	91.0	

Technical parameter

Size	Pressure (bar)	Cleaning radius (m)	360°/180° Fluxation m ³ /h
1"	2.5	1.0~1.25	17/10
1.1/4" ~1.1/2"	2.5	1.25~1.75	23/17
2"	3.5	2.0~3.0	55/38
2 1/2"	3.5	3.0~3.5	58/41

卡箍式
Clamped

50051



Size	A	Q	kg
1"	80.0	63.0	
1 1/4"	93.0	76.0	
1 1/2"	93.0	76.0	
2"	108.0	91.0	
2 1/2"	115.0	100.0	

Technical parameter

Size	Pressure (bar)	Cleaning radius (m)	360°/180° Fluxation m ³ /h
1"	2.5	1.0~1.25	17/10
1.1/4" ~1.1/2"	2.5	1.25~1.75	23/17
2"	3.5	2.0~3.0	55/38
2 1/2"	3.5	3.0~3.5	58/41

