

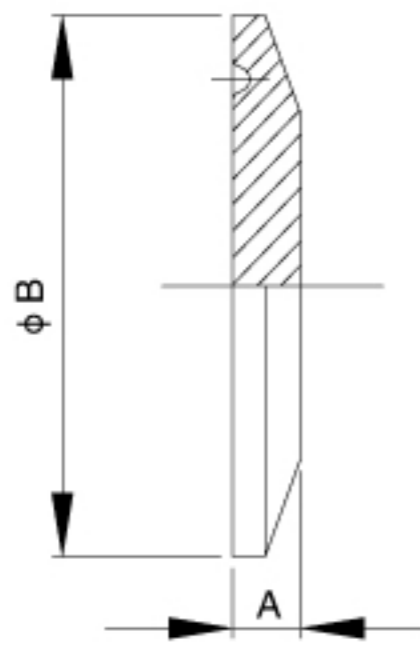




- ◆ Sanitary Manual、Pneumatic Valve
- ◆ Sanitary Pipe Fittings
- ◆ Fluid Facility
- ◆ 卫生级手动、驱动阀门 / 卫生级管件 / 流体设备

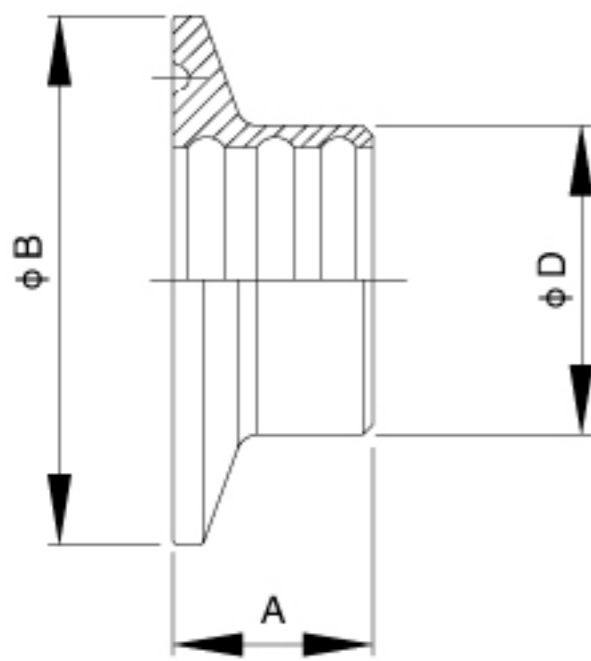
## 卫生级卡箍接头 Sanitary ferrule

卡箍堵头(16AMP) | 60051  
End cap



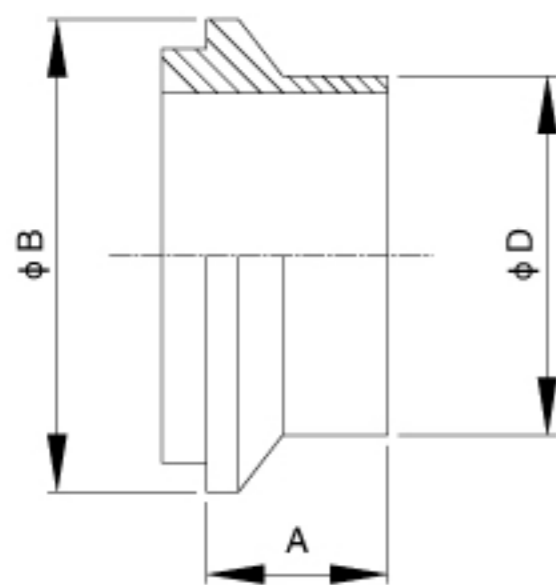
| Size   | A    | B     |  |  |  | kg |
|--------|------|-------|--|--|--|----|
| 1"     | 6.3  | 50.5  |  |  |  |    |
| 1 1/2" | 6.3  | 50.5  |  |  |  |    |
| 2"     | 6.3  | 64.0  |  |  |  |    |
| 2 1/2" | 6.3  | 77.5  |  |  |  |    |
| 3"     | 6.3  | 91.0  |  |  |  |    |
| 4"     | 7.9  | 119.0 |  |  |  |    |
| 6"     | 11.1 | 167.0 |  |  |  |    |
| 8"     | 11.1 | 217.7 |  |  |  |    |
| 10"    | 11.1 | 268.5 |  |  |  |    |
|        |      |       |  |  |  |    |
|        |      |       |  |  |  |    |
|        |      |       |  |  |  |    |
|        |      |       |  |  |  |    |

扩展式接头(14RMP) | 60052  
Expanded ferrule



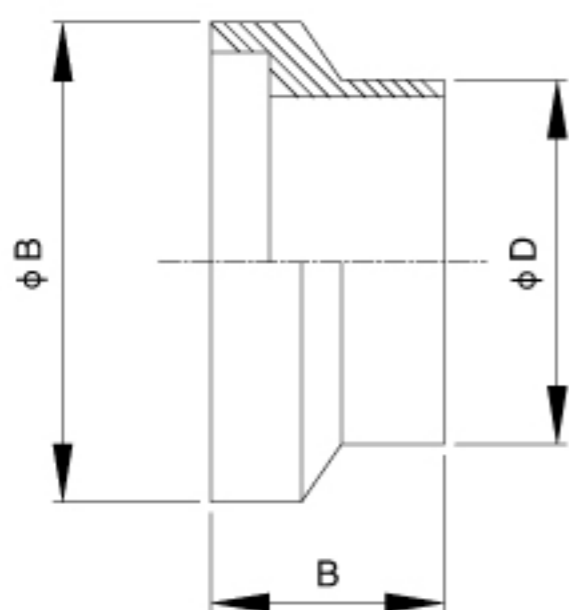
| Size   | A    | B     | D     |  |  | kg |
|--------|------|-------|-------|--|--|----|
| 1"     | 19.1 | 50.5  | 29.5  |  |  |    |
| 1 1/2" | 28.6 | 50.5  | 42.6  |  |  |    |
| 2"     | 33.3 | 64.0  | 55.7  |  |  |    |
| 2 1/2" | 34.9 | 77.5  | 68.8  |  |  |    |
| 3"     | 36.5 | 91.0  | 81.9  |  |  |    |
| 4"     | 38.1 | 119.0 | 108.1 |  |  |    |
|        |      |       |       |  |  |    |
|        |      |       |       |  |  |    |
|        |      |       |       |  |  |    |
|        |      |       |       |  |  |    |

3A | 60053



| Size   | B     | D     | A     |       | kg |
|--------|-------|-------|-------|-------|----|
|        |       |       | 14WI  | 14WLI |    |
| 1"     | 50.4  | 25.4  | 15.24 | 39.67 |    |
| 1 1/2" | 50.4  | 38.1  | 19.43 | 46.81 |    |
| 2"     | 67.05 | 50.8  | 20.06 | 52.37 |    |
| 2 1/2" | 84.0  | 63.5  | 21.56 | 55.57 |    |
| 3"     | 94.7  | 76.2  | 23.0  | 60.32 |    |
| 4"     | 123.7 | 101.6 | 26.18 | 68.27 |    |
|        |       |       |       |       |    |
|        |       |       |       |       |    |
|        |       |       |       |       |    |
|        |       |       |       |       |    |

3A | 60054



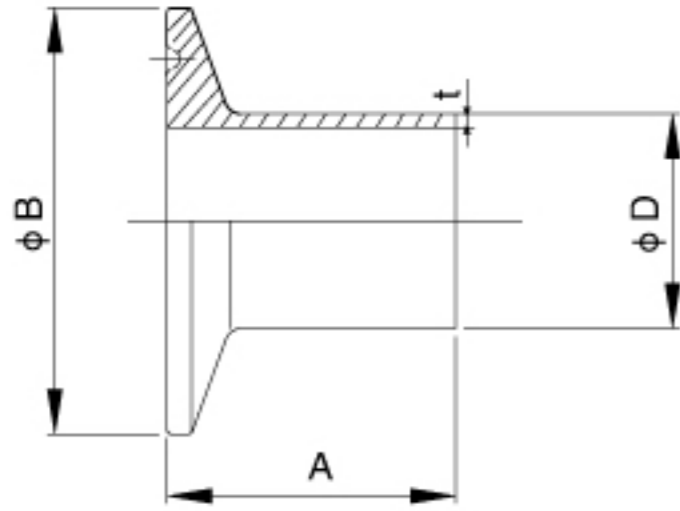
| Size   | B     | D     | A    |       | kg |
|--------|-------|-------|------|-------|----|
|        |       |       | 15WI | 15WLI |    |
| 1"     | 50.4  | 25.4  | 19.9 | 44.4  |    |
| 1 1/2" | 50.4  | 38.1  | 24.1 | 51.6  |    |
| 2"     | 67.05 | 50.8  | 26.4 | 58.7  |    |
| 2 1/2" | 84.0  | 63.5  | 29.4 | 63.5  |    |
| 3"     | 94.7  | 76.2  | 31.0 | 68.3  |    |
| 4"     | 123.7 | 101.6 | 34.3 | 76.2  |    |
|        |       |       |      |       |    |
|        |       |       |      |       |    |
|        |       |       |      |       |    |
|        |       |       |      |       |    |



- ◆ Sanitary Manual、Pneumatic Valve
- ◆ Sanitary Pipe Fittings
- ◆ Fluid Facility
- ◆ 卫生级手动、驱动阀门 / 卫生级管件 / 流体设备

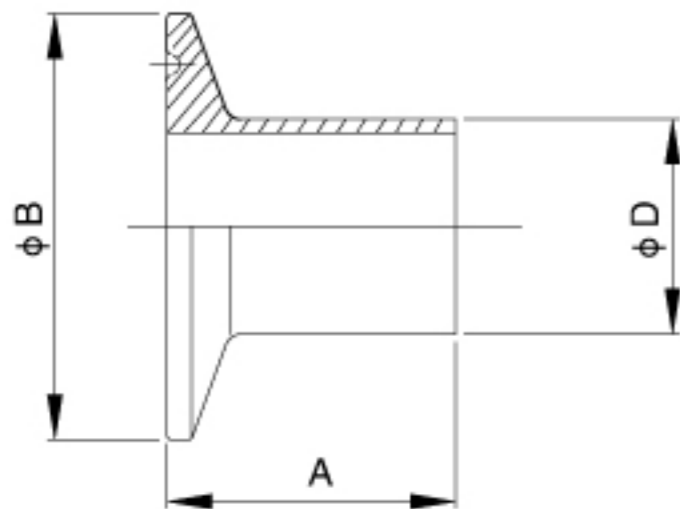
## 卡箍接头 Ferrule

SMS | 60055



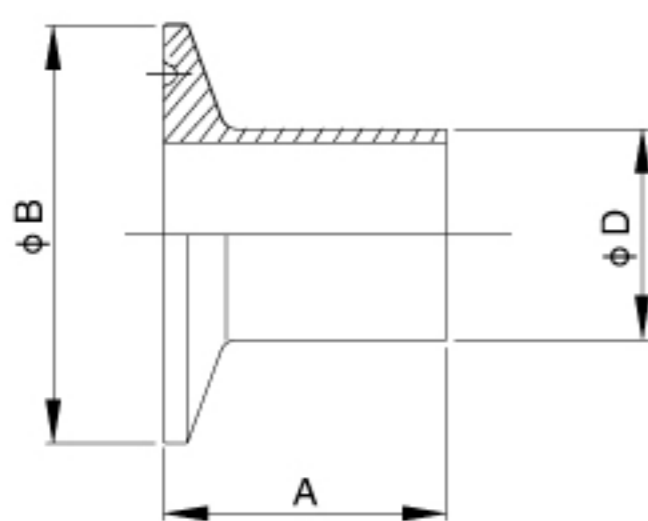
| Size | A    | B     | D     | t    | t   | kg |
|------|------|-------|-------|------|-----|----|
| Φ25  | 21.5 | 50.5  | 25.4  | 1.25 | 1.5 |    |
| Φ32  | 21.5 | 50.5  | 31.8  | 1.25 | 1.5 |    |
| Φ38  | 21.5 | 50.5  | 38.1  | 1.25 | 1.5 |    |
| Φ51  | 21.5 | 64.0  | 50.8  | 1.25 | 1.5 |    |
| Φ63  | 21.5 | 77.5  | 63.5  | 1.5  | 2.0 |    |
| Φ76  | 21.5 | 91.0  | 76.3  | 2.0  | 2.0 |    |
| Φ89  | 21.5 | 106.0 | 89.0  | 2.0  | 2.0 |    |
| Φ102 | 21.5 | 119.0 | 101.6 | 2.0  | 2.0 |    |
|      |      |       |       |      |     |    |
|      |      |       |       |      |     |    |
|      |      |       |       |      |     |    |
|      |      |       |       |      |     |    |

ISO  
IDF | 60056



| Size   | A    | B     | D     |  |  | kg |
|--------|------|-------|-------|--|--|----|
| 1"     | 21.5 | 50.5  | 25.4  |  |  |    |
| 1 1/4" | 21.5 | 50.5  | 31.8  |  |  |    |
| 1 1/2" | 21.5 | 50.5  | 38.1  |  |  |    |
| 2"     | 21.5 | 64    | 50.8  |  |  |    |
| 2 1/2" | 21.5 | 77.5  | 63.5  |  |  |    |
| 3"     | 21.5 | 91.0  | 76.3  |  |  |    |
| 3 1/2" | 21.5 | 106.0 | 89.0  |  |  |    |
| 4"     | 21.5 | 119.0 | 101.6 |  |  |    |
|        |      |       |       |  |  |    |
|        |      |       |       |  |  |    |
|        |      |       |       |  |  |    |
|        |      |       |       |  |  |    |

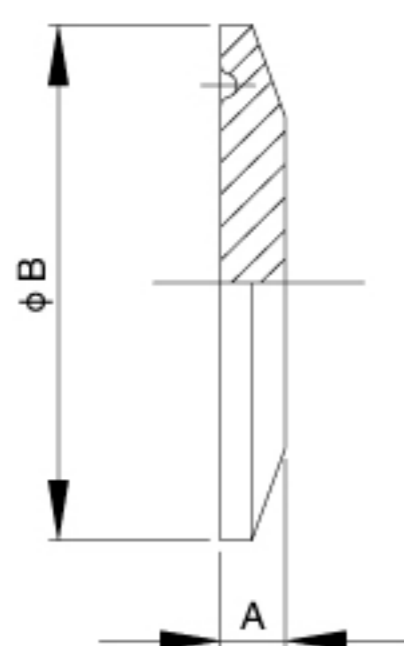
DIN | 60057



| Size  | A    | B     | D     |  |  | kg |
|-------|------|-------|-------|--|--|----|
| DN15  | 18.0 | 34.0  | 18.0  |  |  |    |
| DN20  | 18.0 | 34.0  | 22.0  |  |  |    |
| DN25  | 21.5 | 50.5  | 28.0  |  |  |    |
| DN32  | 21.5 | 50.5  | 34.0  |  |  |    |
| DN40  | 21.5 | 50.5  | 40.0  |  |  |    |
| DN50  | 28.0 | 64    | 52.0  |  |  |    |
| DN65  | 28.0 | 91.0  | 70.0  |  |  |    |
| DN80  | 28.0 | 106.0 | 85.0  |  |  |    |
| DN100 | 28.0 | 119.0 | 104.0 |  |  |    |
| DN125 | 38.0 | 145.0 | 129.0 |  |  |    |
| DN150 | 38.0 | 167.0 | 154.0 |  |  |    |
|       |      |       |       |  |  |    |
|       |      |       |       |  |  |    |
|       |      |       |       |  |  |    |
|       |      |       |       |  |  |    |

## 卡箍堵头 End cap

DIN | 60058



| Size  | A    | B     |  |  |  | kg |
|-------|------|-------|--|--|--|----|
| DN15  | 6.3  | 34.0  |  |  |  |    |
| DN20  | 6.3  | 34.0  |  |  |  |    |
| DN25  | 6.3  | 50.5  |  |  |  |    |
| DN32  | 6.3  | 50.5  |  |  |  |    |
| DN40  | 6.3  | 50.5  |  |  |  |    |
| DN50  | 6.3  | 64.0  |  |  |  |    |
| DN65  | 6.3  | 91.0  |  |  |  |    |
| DN80  | 6.3  | 106.0 |  |  |  |    |
| DN100 | 6.3  | 119.0 |  |  |  |    |
| DN125 | 11.1 | 145.0 |  |  |  |    |
| DN150 | 11.1 | 167.0 |  |  |  |    |
|       |      |       |  |  |  |    |
|       |      |       |  |  |  |    |
|       |      |       |  |  |  |    |
|       |      |       |  |  |  |    |



