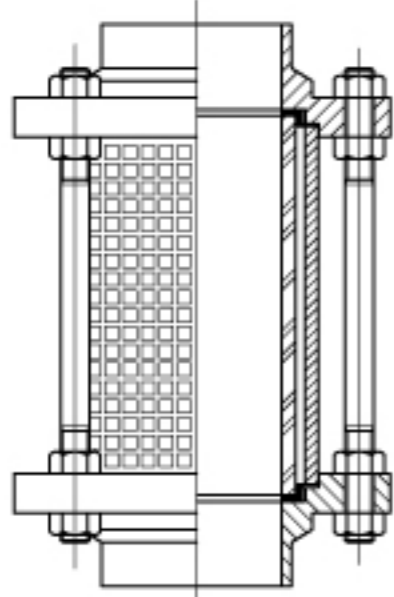




- ◆ Sanitary Manual、Pneumatic Valve
- ◆ Sanitary Pipe Fittings
- ◆ Fluid Facility
- ◆ 卫生级手动、驱动阀门 / 卫生级管件 / 流体设备

带保护网视镜 Sight glass with protective net

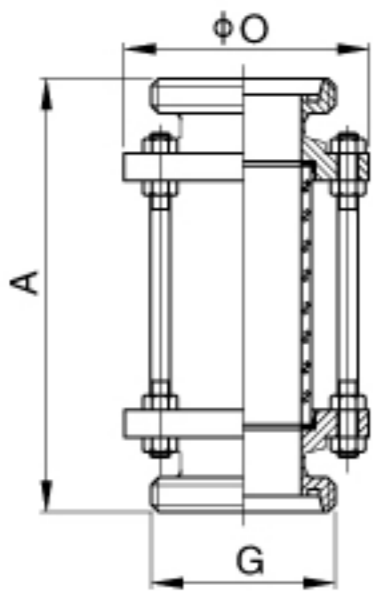
50034



- ★：所有直通视镜都可带保护网
- ★：All the straight sight glass can match with protective net

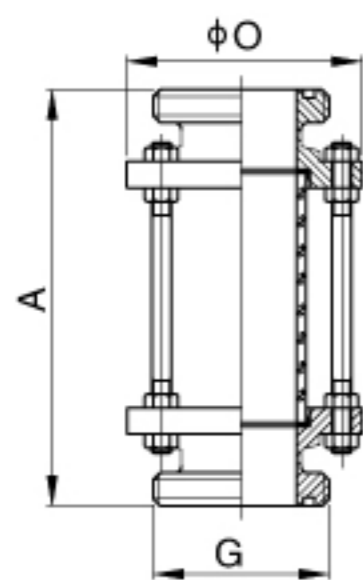
螺纹式直通视镜 Threaded straight sight glass

DIN | 50035



Size	A	G	O			kg
DN25	156.0	RD52 × 1/6	78.0			
DN32	160.0	RD58 × 1/6	86.0			
DN40	164.0	RD65 × 1/6	90.0			
DN50	166.0	RD78 × 1/6	106.0			
DN65	172.0	RD95 × 1/6	124.0			
DN80	178.0	RD110 × 1/4	139.0			
DN100	196.0	RD130 × 1/4	159.0			

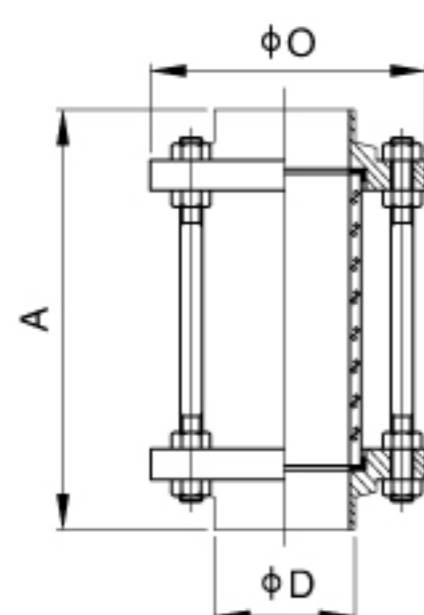
SMS | 50036



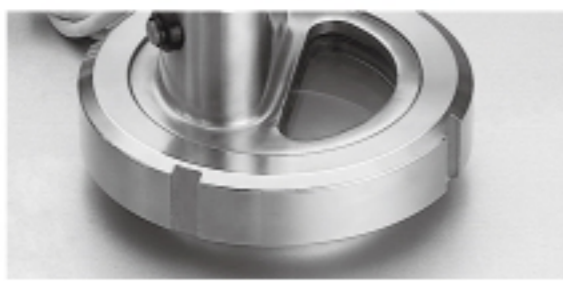
Size	A	G	O			kg
25	156.0	RD40 × 1/6	78.0			
32	156.0	RD48 × 1/6	78.0			
38	160.0	RD60 × 1/6	86.0			
51	166.0	RD70 × 1/6	102.0			
63	168.0	RD85 × 1/6	115.0			
76	172.0	RD98 × 1/6	128.0			
89	178.0	RD110 × 1/6	139.0			
102	192.0	RD125 × 1/6	154.0			

直通焊接式视镜 Welded straight sight glass

DIN | 50037



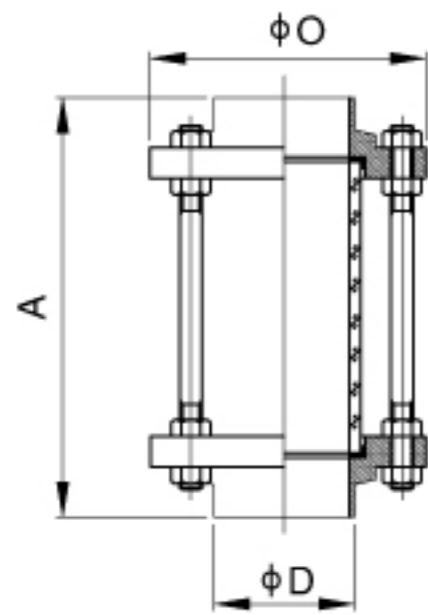
Size	A	D	O			kg
DN25	140.0	28.0	78.0			
DN32	140.0	34.0	78.0			
DN40	140.0	40.0	86.0			
DN50	142.0	52.0	102.0			
DN65	144.0	70.0	120.0			
DN80	148.0	85.0	134.0			
DN100	152.0	104.0	154.0			



- ◆ Sanitary Manual、Pneumatic Valve
- ◆ Sanitary Pipe Fittings
- ◆ Fluid Facility
- ◆ 卫生级手动、气动阀门 / 卫生级管件 / 流体设备

直通焊接式视镜 Welded straight sight glass

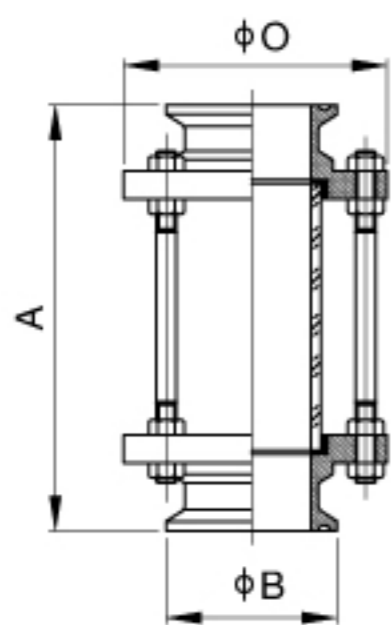
SMS | ISO | IDF | 3A | 50038



Size	A	D	O	kg
1"	25	140.0	25.4	78.0
1 1/4"	32	140.0	32.0	78.0
1 1/2"	38	140.0	38.1	86.0
2"	51	142.0	50.8	102.0
2 1/2"	63	144.0	63.5	115.0
3"	76	144.0	76.2	128.0
3 1/2"	89	148.0	89.0	139.0
4"	102	152.0	101.6	154.0

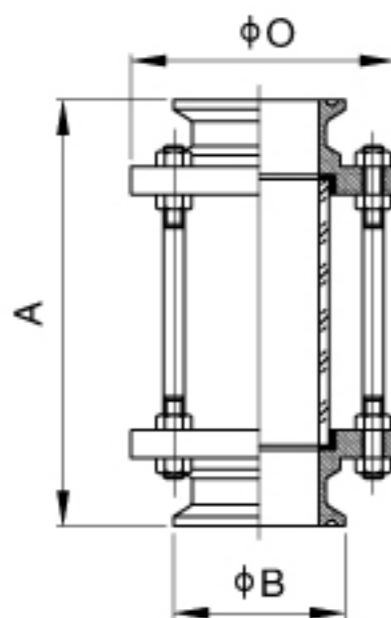
卡箍式直通视镜 Clamped straight sight glass

DIN | 50039



Size	A	B	O	kg
DN25	156.0	50.5	78.0	
DN32	156.0	50.5	86.0	
DN40	164.0	50.5	90.0	
DN50	166.0	64.0	106.0	
DN65	168.0	91.0	124.0	
DN80	172.0	106.0	139.0	
DN100	192.0	119.0	159.0	

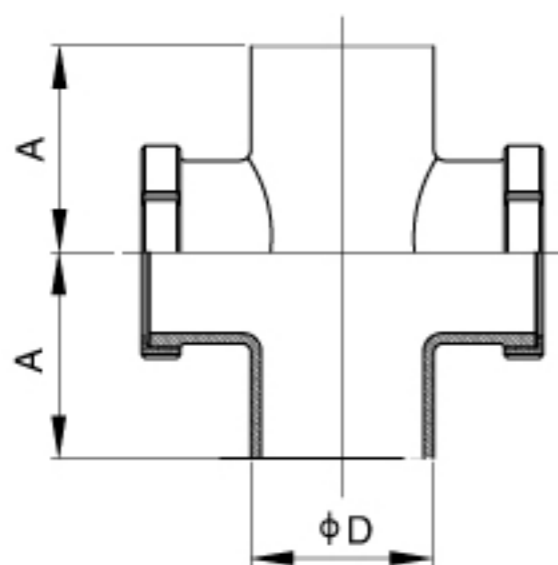
SMS | ISO | IDF | 3A | 50040



Size	A	B	O	kg
1"	25	156.0	50.5	78.0
1 1/4"	32	156.0	50.5	78.0
1 1/2"	38	160.0	50.5	86.0
2"	51	166.0	64.0	102.0
2 1/2"	63	168.0	77.5	115.0
3"	76	172.0	91.0	128.0
3 1/2"	89	178.0	106.0	139.0
4"	102	194.0	119.0	154.0

四通视镜 Cross sight glass

DIN | 50041



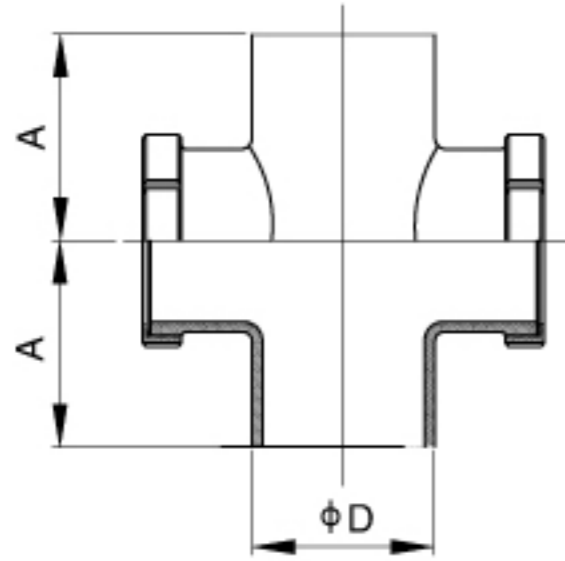
Size	A	D	kg
DN25	50.0	28.0	
DN32	55.0	34.0	
DN40	60.0	40.0	
DN50	70.0	52.0	
DN65	80.0	70.0	
DN80	90.0	85.0	
DN100	100.0	104.0	



- ◆ Sanitary Manual、Pneumatic Valve
- ◆ Sanitary Pipe Fittings
- ◆ Fluid Facility
- ◆ 卫生级手动、气动阀门 / 卫生级管件 / 流体设备

四通视镜 Cross sight glass

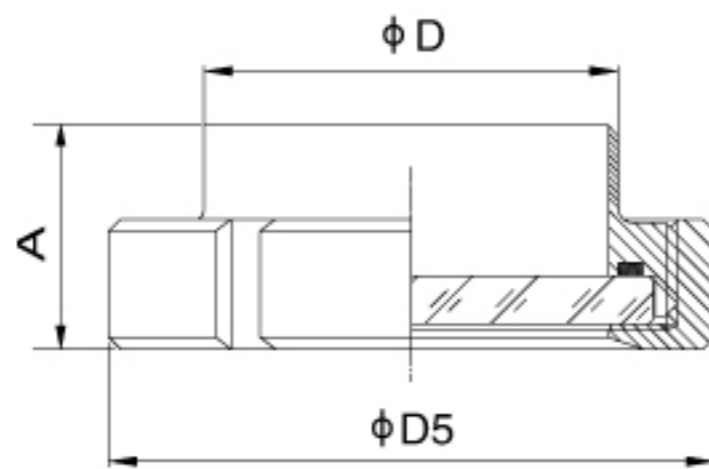
SMS | ISO | IDF | 3A | 50042



Size	A	D				kg
1"	25	33.5	25.4			
1 1/4"	32	38.0	32.0			
1 1/2"	38	48.5	38.1			
2"	51	60.5	50.8			
2 1/2"	63	83.5	63.5			
3"	76	88.5	76.2			
4"	102	127.0	101.6			

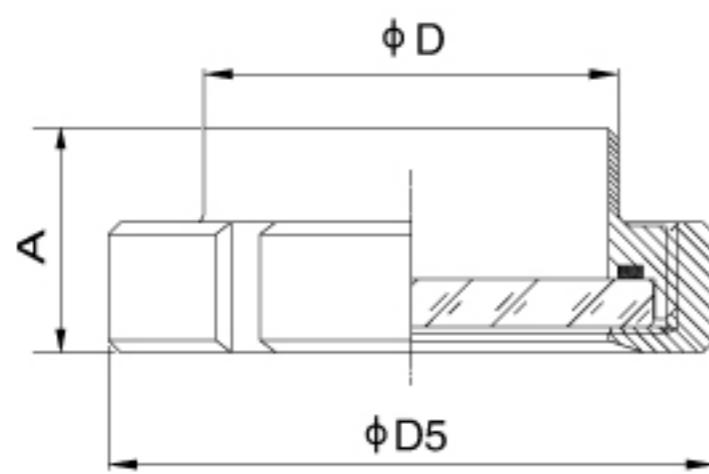
活接视镜 Union-type sight glass

DIN | 50043



Size	A	D	D5			kg
DN25	35.0	28.0	63.0			
DN32	38.0	34.0	70.0			
DN40	40.0	40.0	78.0			
DN50	42.0	52.0	92.0			
DN65	47.0	70.0	110.0			
DN80	52.0	85.0	125.0			
DN100	62.0	104.0	146.0			

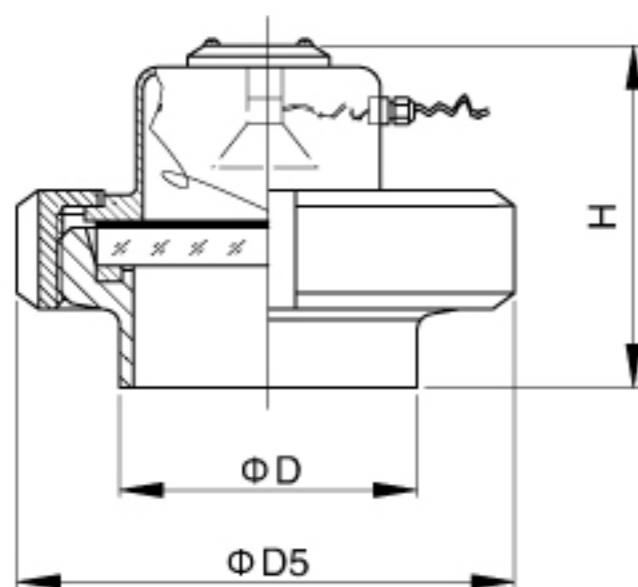
SMS | 50044



Size	A	D	D5			kg
25	25.0	25.4	54.0			
32	25.0	32.0	70.0			
38	28.0	38.1	72.0			
51	28.0	50.8	92.0			
63	32.0	63.5	97.0			
76	33.0	76.2	111.0			
89	34.0	88.9	125.0			
102	36.0	101.6	138.0			

带灯视镜 Sight indicator sight glass

50045



Size	H	D	D5			kg
DN80	90.0	87.0	127.0			
DN100	100.0	106.0	146.0			
DN125	90.0	132.0	176.0			
DN150	96.0	157.0	208.0			