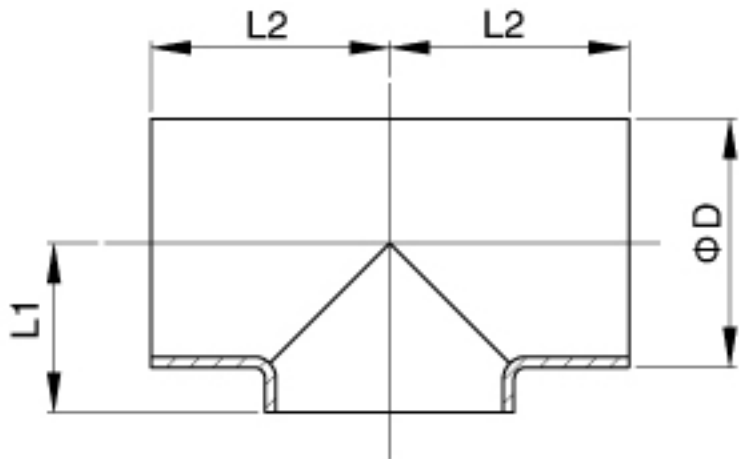


- ◆ Sanitary Manual、Pneumatic Valve
- ◆ Sanitary Pipe Fittings
- ◆ Fluid Facility
- ◆ 卫生级手动、驱动阀门 / 卫生级管件 / 流体设备

## 三通 Tee (DIN)

短型焊接式  
Short-type welded

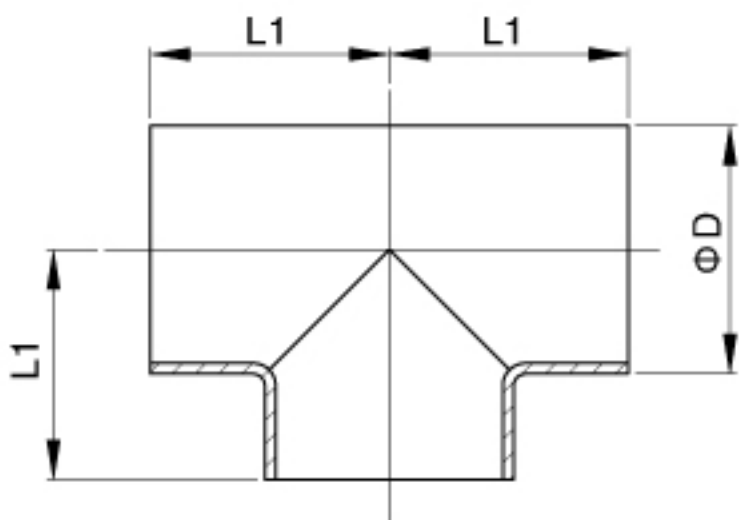
40037



Size	L1	L2	D			kg
DN10	7.5	26.0	12.0			
DN15	10.5	35.0	18.0			
DN20	12.5	40.0	22.0			
DN25	16.0	50.0	28.0			
DN32	19.5	55.0	34.0			
DN40	22.5	60.0	40.0			
DN50	30.0	70.0	52.0			
DN65	39.5	80.0	70.0			
DN80	47.5	90.0	85.0			
DN100	58.0	100.0	104.0			
DN125	70.5	187.0	129.0			
DN150	83.0	225.0	154.0			

长型焊接式  
Long-type welded

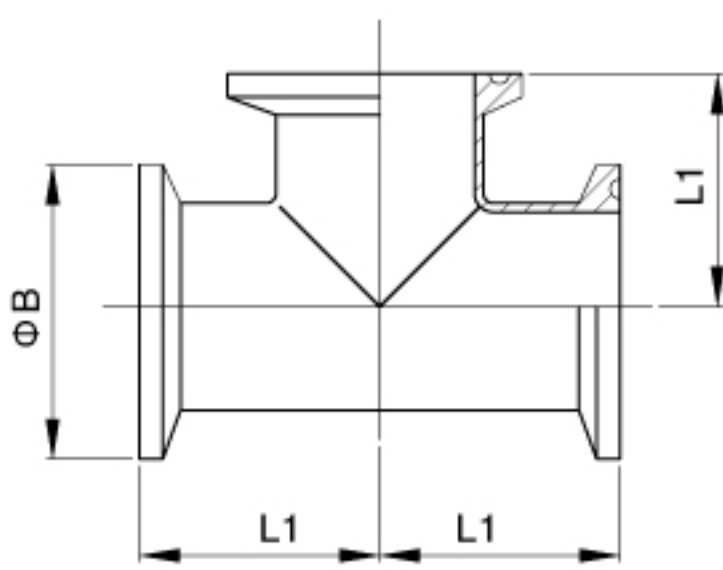
40038



Size	L1	D				kg
DN10	26.0	12.0				
DN15	35.0	18.0				
DN20	40.0	22.0				
DN25	50.0	28.0				
DN32	55.0	34.0				
DN40	60.0	40.0				
DN50	70.0	52.0				
DN65	80.0	70.0				
DN80	90.0	85.0				
DN100	100.0	104.0				
DN125	187.0	129.0				
DN150	225.0	154.0				

卡箍式  
Clamped

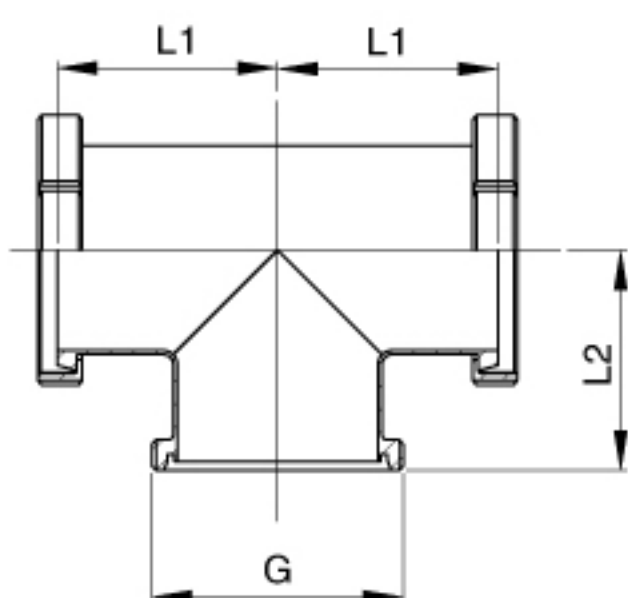
40039



Size	L1	B				kg
DN15	53.0	34.0				
DN20	58.0	34.0				
DN25	71.5	50.5				
DN32	76.5	50.5				
DN40	81.5	50.5				
DN50	91.5	64.0				
DN65	108.0	91.0				
DN80	118.0	106.0				
DN100	128.0	119.0				

一端螺纹式  
One side threaded

40040

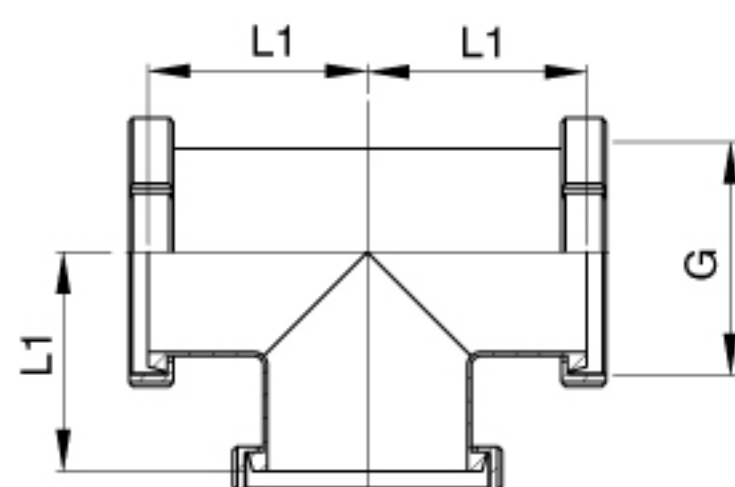


Size	L1	L2	G			kg
DN20	55.0	59.0	RD44 × 1/6			
DN25	67.0	70.0	RD52 × 1/6			
DN32	72.0	75.0	RD58 × 1/6			
DN40	79.0	80.0	RD65 × 1/6			
DN50	90.0	91.0	RD78 × 1/6			
DN65	100.0	105.0	RD95 × 1/6			
DN80	113.0	115.0	RD110 × 1/4			
DN100	126.0	128.0	RD130 × 1/4			

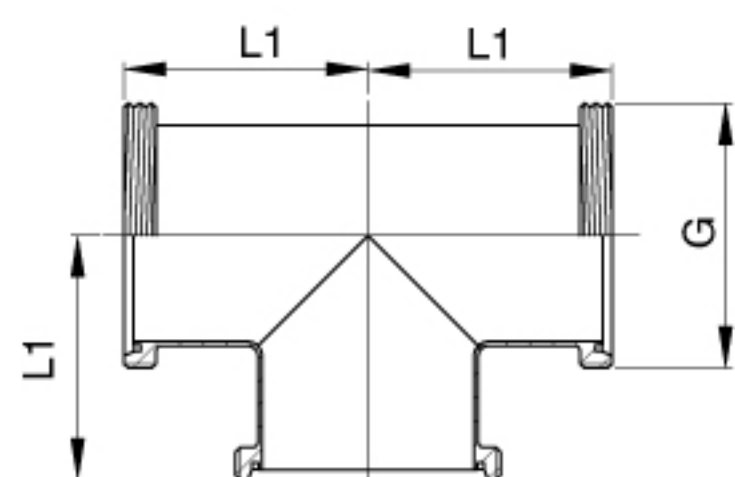


- ◆ Sanitary Manual、Pneumatic Valve
- ◆ Sanitary Pipe Fittings
- ◆ Fluid Facility
- ◆ 卫生级手动、驱动阀门 / 卫生级管件 / 流体设备

## 三通 Tee (DIN)

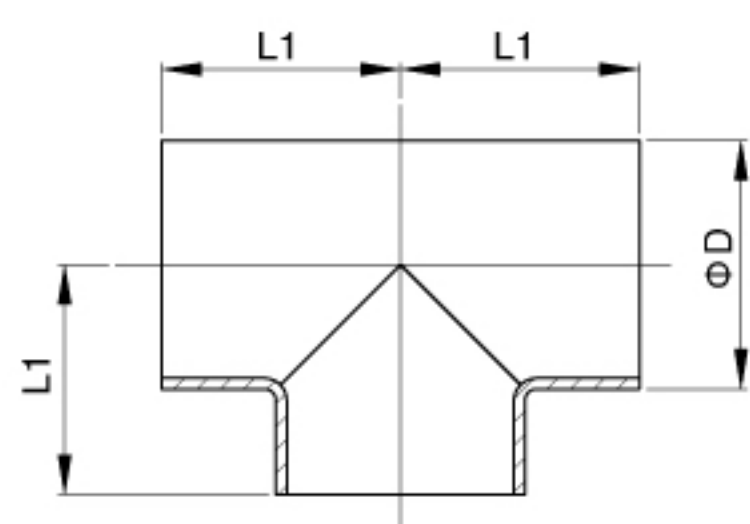
 螺母式  
 Nut-type | 40041


Size	L1	G				kg
DN20	55.0	RD44 × 1/6				
DN25	67.0	RD52 × 1/6				
DN32	72.0	RD58 × 1/6				
DN40	79.0	RD65 × 1/6				
DN50	90.0	RD78 × 1/6				
DN65	100.0	RD95 × 1/6				
DN80	113.0	RD110 × 1/4				
DN100	126.0	RD130 × 1/4				

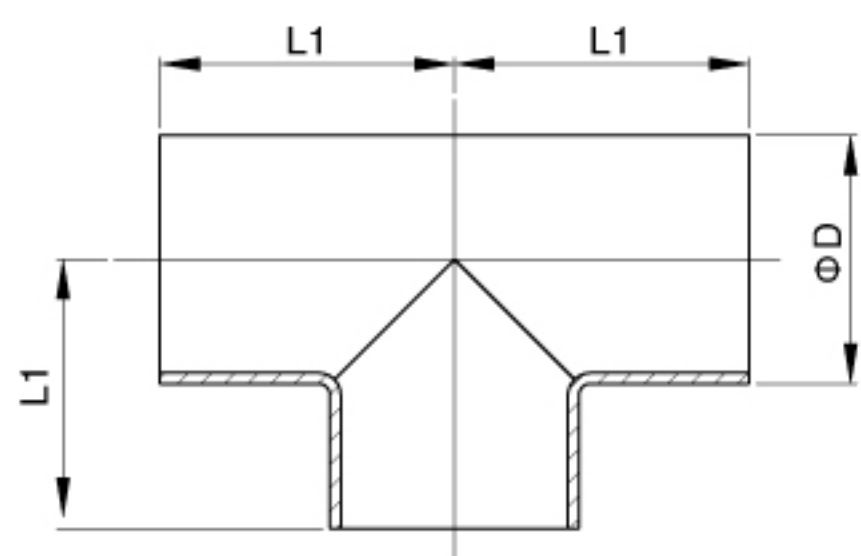
 螺纹式  
 Threaded | 40042


Size	L1	G				kg
DN20	59.0	RD44 × 1/6				
DN25	70.0	RD52 × 1/6				
DN32	75.0	RD58 × 1/6				
DN40	80.0	RD65 × 1/6				
DN50	91.0	RD78 × 1/6				
DN65	105.0	RD95 × 1/6				
DN80	115.0	RD110 × 1/4				
DN100	128.0	RD130 × 1/4				

## 三通 Tee (3A)

 短型焊接式  
 Short-type welded | 40043


Size	L1	D				kg
1"	28.6	25.4				
1 1/2"	42.05	38.1				
2"	52.35	50.8				
2 1/2"	59.55	63.5				
3"	65.9	76.2				
4"	87.35	101.6				

 长型焊接式  
 Long-type welded | 40044


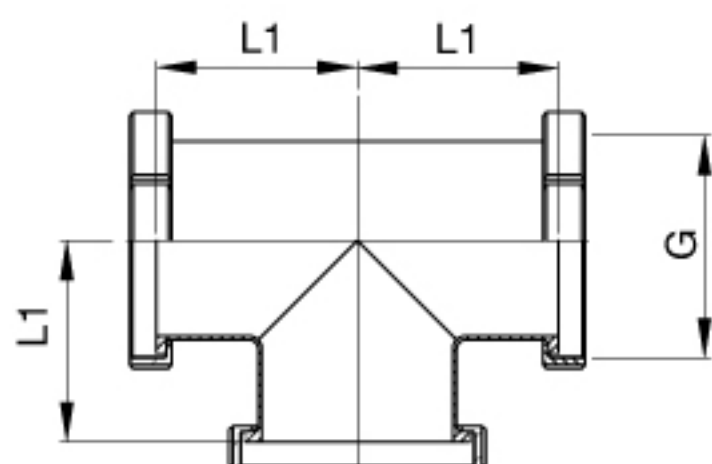
Size	L1	D				kg
1"	47.6	25.4				
1 1/2"	57.2	38.1				
2"	76.2	50.8				
2 1/2"	76.2	63.5				
3"	82.6	76.2				
4"	98.4	101.6				



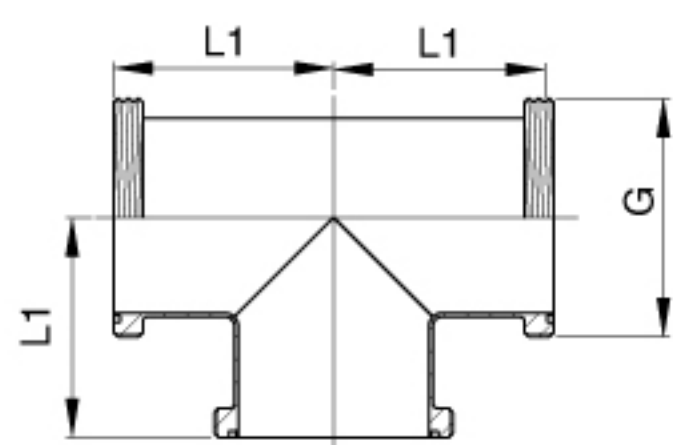


- ◆ Sanitary Manual、Pneumatic Valve
- ◆ Sanitary Pipe Fittings
- ◆ Fluid Facility
- ◆ 卫生级手动、驱动阀门 / 卫生级管件 / 流体设备

## 三通 Tee (SMS)

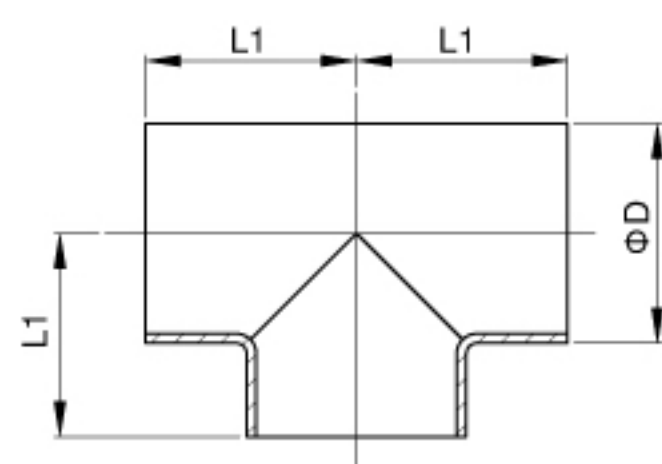
 螺母式  
 Nut-type | 40049


Size	L1	G				kg
25	67.0	RD40 × 1/6				
38	83.0	RD60 × 1/6				
51	95.0	RD70 × 1/6				
63	119.0	RD85 × 1/6				
76	124.0	RD98 × 1/6				
102小	167.0	RD125 × 1/6				
102大	167.0	RD132 × 1/6				

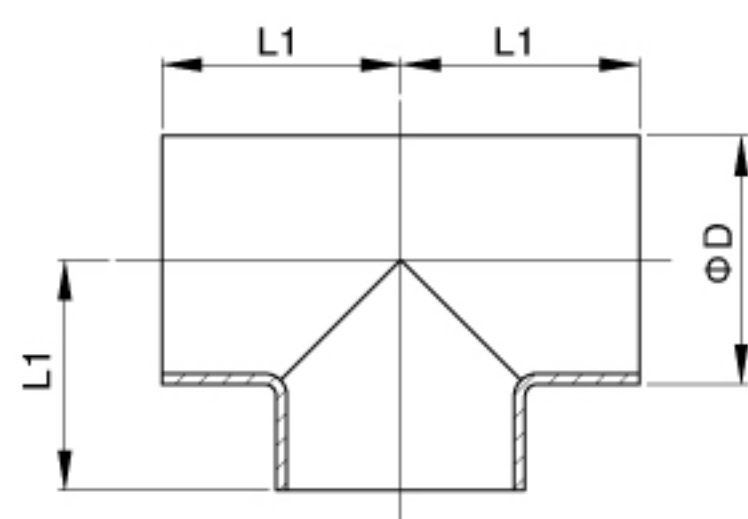
 螺纹式  
 Threaded | 40050


Size	L1	G				kg
25	73.0	RD40 × 1/6				
38	90.0	RD60 × 1/6				
51	102.0	RD70 × 1/6				
63	128.5	RD85 × 1/6				
76	134.5	RD98 × 1/6				
102小	177.0	RD125 × 1/6				
102大	177.0	RD132 × 1/6				

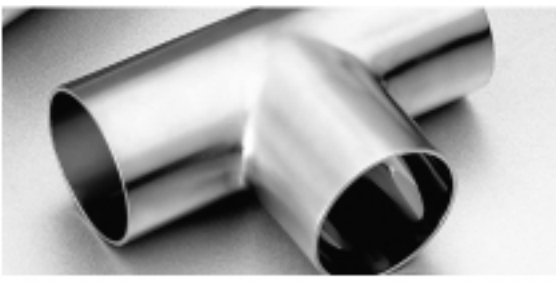
## 三通 Tee (BS4825)

 短型焊接式  
 Short-type welded | 40051


Size	L1	D				kg
1"	43.5	35.4				
1 1/2"	63.5	38.1				
2"	88.5	50.8				
2 1/2"	113.5	63.5				
3"	133.5	76.2				
4"	173.5	101.6				

 长型焊接式  
 Long-type welded | 40052


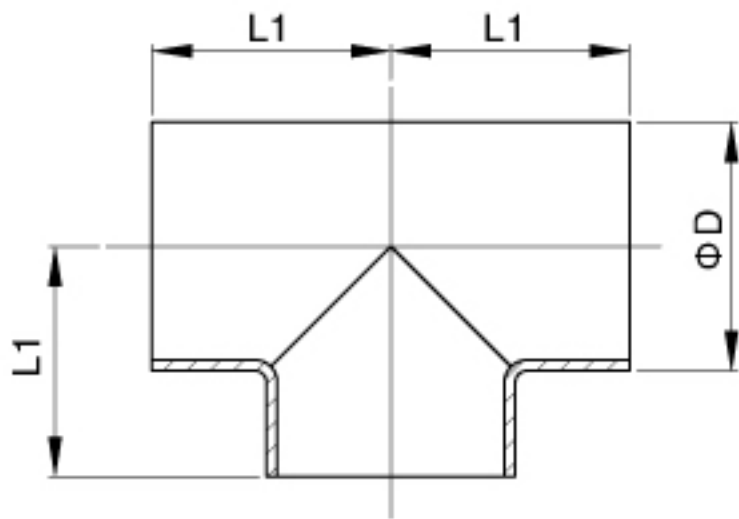
Size	L1	D				kg
1"	65.0	35.4				
1 1/2"	85.0	38.1				
2"	110.0	50.8				
2 1/2"	135.0	63.5				
3"	155.0	76.2				
4"	195.0	101.6				



- ◆ Sanitary Manual、Pneumatic Valve
- ◆ Sanitary Pipe Fittings
- ◆ Fluid Facility
- ◆ 卫生级手动、驱动阀门 / 卫生级管件 / 流体设备

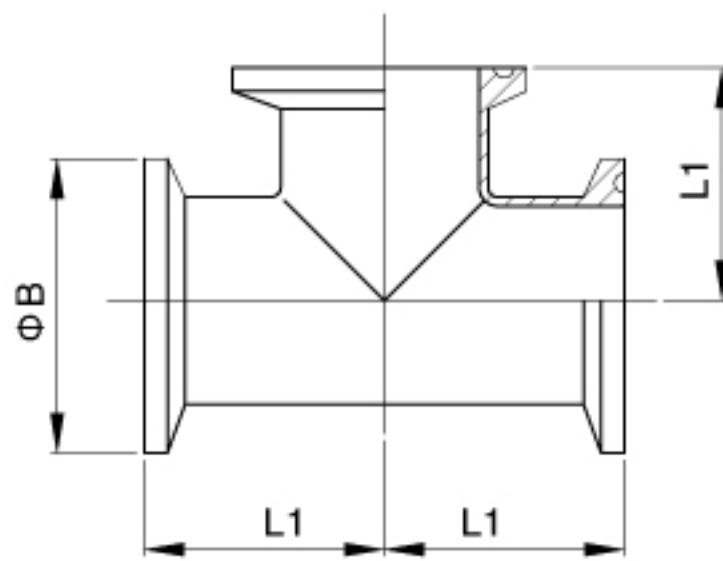
## 三通 Tee (ISO/IDF)

焊接式 | 40053  
Welded



Size	L1	D				kg
1"	33.5	25.4				
1 1/4"	38.1	32.0				
1 1/2"	48.5	38.1				
2"	60.5	50.8				
2 1/2"	83.5	63.5				
3"	88.5	76.2				
3 1/2"	103.5	89.0				
4"	127.0	101.6				
5"	190.5	133.0				
6"	228.6	159.0				

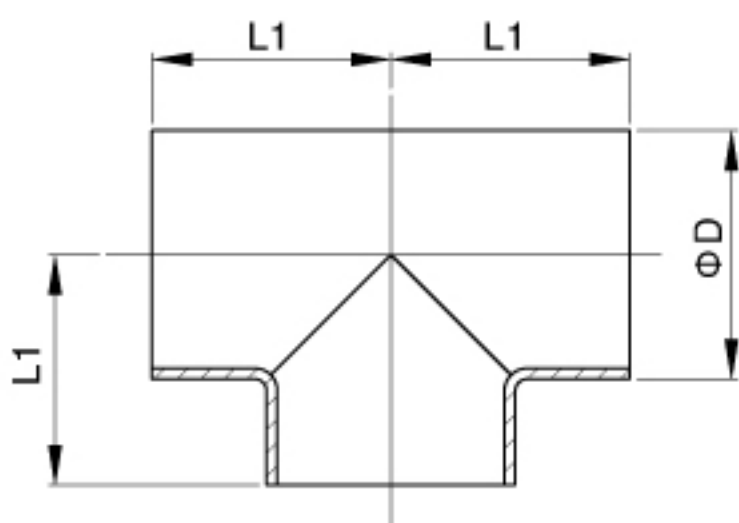
卡箍式 | 40054  
Clamped



Size	L1	B				kg
1"	55.0	50.5				
1 1/4"	59.5	50.5				
1 1/2"	70.0	50.5				
2"	82.0	64.0				
2 1/2"	105.0	77.5				
3"	110.0	91.0				
3 1/2"	125.0	106.0				
4"	148.5	119.0				

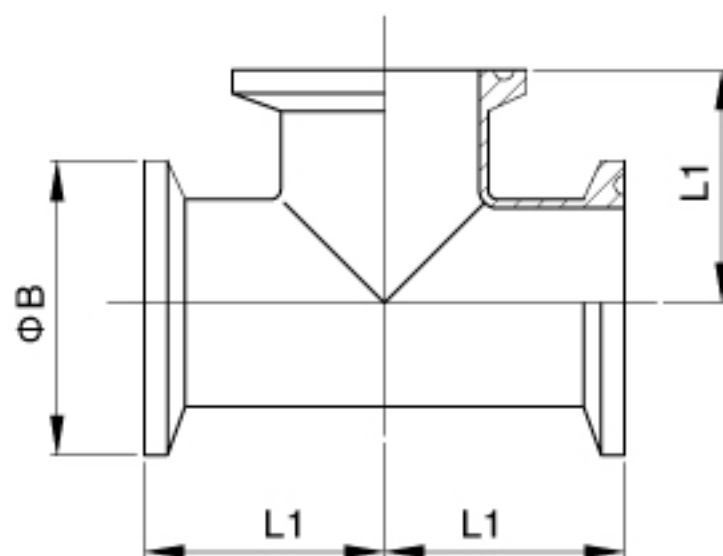
## 三通 Tee (BPE)

长型焊接式 | 40055  
Long-type welded



Size	L1	D				kg
1/2"	47.6	12.7				
3/4"	50.8	19.05				
1"	54.0	25.4				
1 1/2"	60.3	38.1				
2"	73.0	50.8				
2 1/2"	79.4	63.5				
3"	85.7	76.2				
4"	104.8	101.6				

卡箍式 | 40056  
Clamped



Size	L1	B				kg
1/2"	57.2	25.4				
3/4"	60.3	25.4				
1"	66.7	50.5				
1 1/2"	73.0	50.5				
2"	85.7	64.0				
2 1/2"	92.1	77.5				
3"	98.4	91.0				
4"	120.7	119.0				